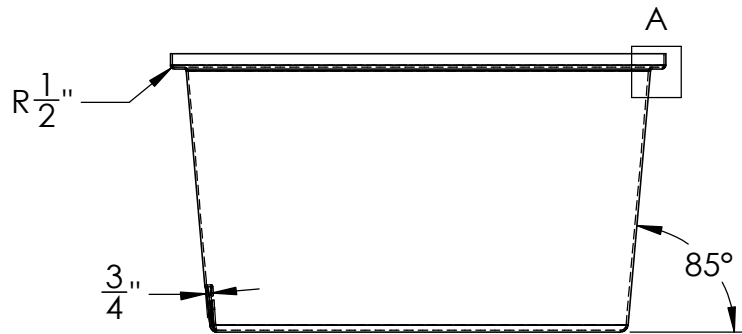
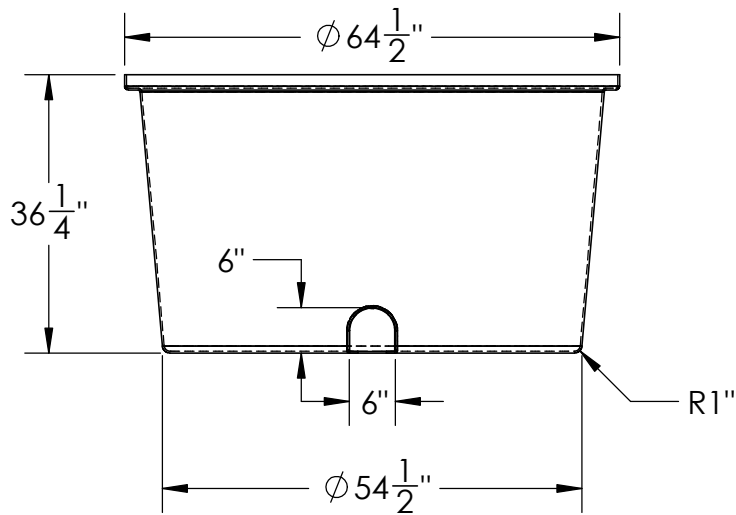
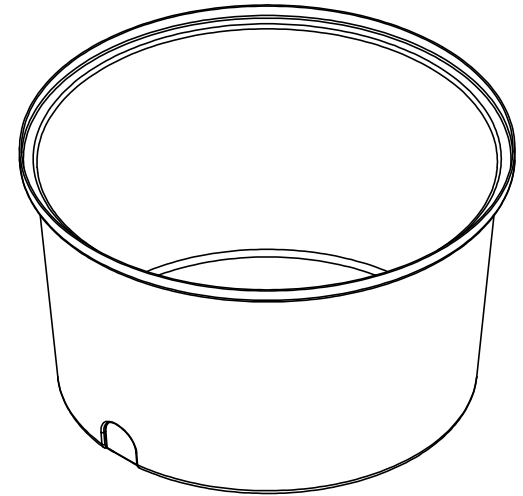


DETAIL A



350 Gallon Round Secondary Containment / Stock Tank



1390 Neubrecht Road  
Lima, Ohio 45801

STOCK NO.  
18956, 18957, 18958,  
18959, 19063

REV  
**A**

DO NOT SCALE DRAWING

WEIGHT: 78 lbs.

DIMENSIONS ARE IN INCHES  
TOLERANCE: ± 1/4"

MATERIAL  
LLDPE - FDA resin

CAPACITY  
350 US gal.

GRADUATIONS  
N/A

NOMINAL WALL THICKNESS  
1/4"

DRAWN	NAME	DATE
APPROVED	NJV	7/12/23

COMMENTS:  
Natural, Yellow, Blue,  
Black, Forest Green  
UV Stabilized

**PROPRIETARY AND CONFIDENTIAL**

THE INFORMATION CONTAINED IN THIS DRAWING IS THE SOLE PROPERTY OF TAMCO. ANY REPRODUCTION IN PART OR AS A WHOLE WITHOUT THE WRITTEN PERMISSION OF TAMCO IS PROHIBITED.

MAX. OPERATING TEMP. 140°F  
INTERMITTENT SERVICE TO 160°F  
SEE CHEMICAL RESISTANCE  
CHART FOR COMPATIBILITY